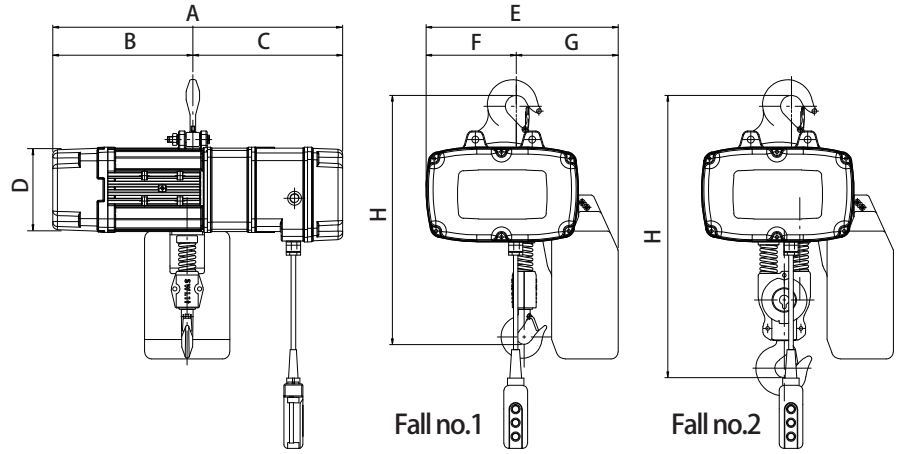




RAZE SERIES



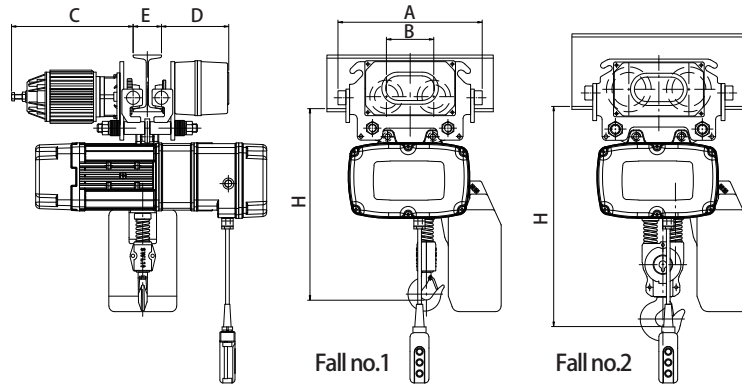
MODEL	CAPACITY (ton)	LIFT (ft)	Hoisting Speed (ft/min) 60Hz	Traversing Speed (ft/min) 60Hz	LOAD CHAIN		
					Ømm	Fall No.	N.W. (lbs)
RZ-025-1	1/4	20	20	80	Ø4x12	1	66
RZ-050-1	1/2	20	16	80	Ø6.3x19.1	1	104
RZ-100-1	1	20	13	80	Ø7.1x20.2	1	137
RZ-200-1	2	20	19	80	Ø10x30	1	225
RZ-300-2	3	20	10	80	Ø10x30	2	265
RZ-500-2	5	20	13	80	Ø11.2x34	2	320

MODEL	DIMENSIONS (in)							
	H	A	B	C	D	E	F	G
RZ-025-1	14.80	14.96	6.89	8.07	5.31	11.77	5.63	6.14
RZ-050-1	19.69	22.44	10.47	11.97	6.46	14.76	7.48	7.28
RZ-100-1	21.65	24.25	11.69	12.56	7.09	16.10	7.52	8.58
RZ-200-1	31.50	29.97	12.20	14.76	8.46	20.47	10.43	10.04
RZ-300-2	35.03	26.97	12.20	14.76	8.46	20.47	8.27	12.20
RZ-500-2	36.22	26.97	12.20	14.76	8.46	20.47	8.27	12.20

For Sales, contact Crane Depot at (800) 347-9975
or info@cranedepot.com



HOIST WITH MOTORIZED RAZE TROLLEY



MODEL	DIMENSIONS (in)						Fall No.
	H	A	B	C	D	E	
RZM-025-1	15.16	15.04	4.94	12.76	7.09	2.95~4.92	1
RZM-050-1	19.49	15.04	4.96	12.76	7.09	2.95~4.92	1
RZM-100-1	21.06	15.04	4.96	12.76	7.09	2.95~4.92	1
RZM-200-1	28.15	15.43	6.26	14.06	7.20	3.94~5.91	1
RZM-300-2	32.28	20.16	6.97	16.02	7.56	4.92~6.89	2
RZM-500-2	33.86	7.52	7.52	16.14	7.68	4.92~6.89	2