

Below-Hook Drum Karriers for Ribbed 55-Gallon Steel Drum ONLY

MADE
IN
USA



Model 85A

- Designed specifically to lift and pour a 22.5" (57 cm) diameter Ribbed 55-Gallon (210 liter) Steel Drum
- Turn Drum by Hand to Dispense Within Reach
- Capacity: 800 Lb. (363 kg) full drum
500 Lb. (227 kg) half-full drum
- Factory load tested and ships with load test certificate

Morse Drum Karriers are built with welded structural steel for long service. Use the tilt locks at each side of the frame to lock the drum in upright or horizontal position. When unlocked, manually tilt the drum to any angle for discharging contents, and rotate drum by hand 360° in either direction.



Models 85A and 85AM

Cinch chain and ratchet to secure drum. Chain tightening ratchet and spring loaded pawl assembly has strong teeth and redundant safety features for reliability and ease of use. High strength, wear resistant cinch chain manufactured to Morse specifications.

Model 85G

3-Piece Drum Holder

- 8" wide metal band
- Toggle clamp secures the drum in the holder
- Hinged on the sides

How to Use Below-Hook Drum Karriers



Model 85A
shown



The suspended Drum-Karrier is pushed against the drum so that the drum holder is positioned to engage between the drum ribs.

Tighten the cinch chain around your drum to secure it in the drum holder. No tools are required to apply suitable tension to secure the drum. Raise your hoist and move the drum to a location for dispensing.

Ship by UPS, FedEx or by truck class 77.5

The drum can be locked at either horizontal or vertical position. Pull out the tilt locks and tilt the drum by hand to dispense its contents. You can turn drum 360° in either direction.

85A and 85G Series Drum Karriers

Model #	Below-Hook Drum Karrier	Domestic Ship Weight	Domestic Ship Dimensions
85A	Cinch chain & ratchet	41 Lb. (19 kg)	L39" x W27" H9" (99 x 68 x 23 cm)
85AM	+Spark resistant parts	41 Lb. (19 kg)	
85G	3-Piece drum holder	55 Lb. (25 kg)	

High Strength Lifting Components and Drum Hoder

Morse Below-Hook Drum Karriers use high strength lifting components as specified by OSHA for overhead lifting.

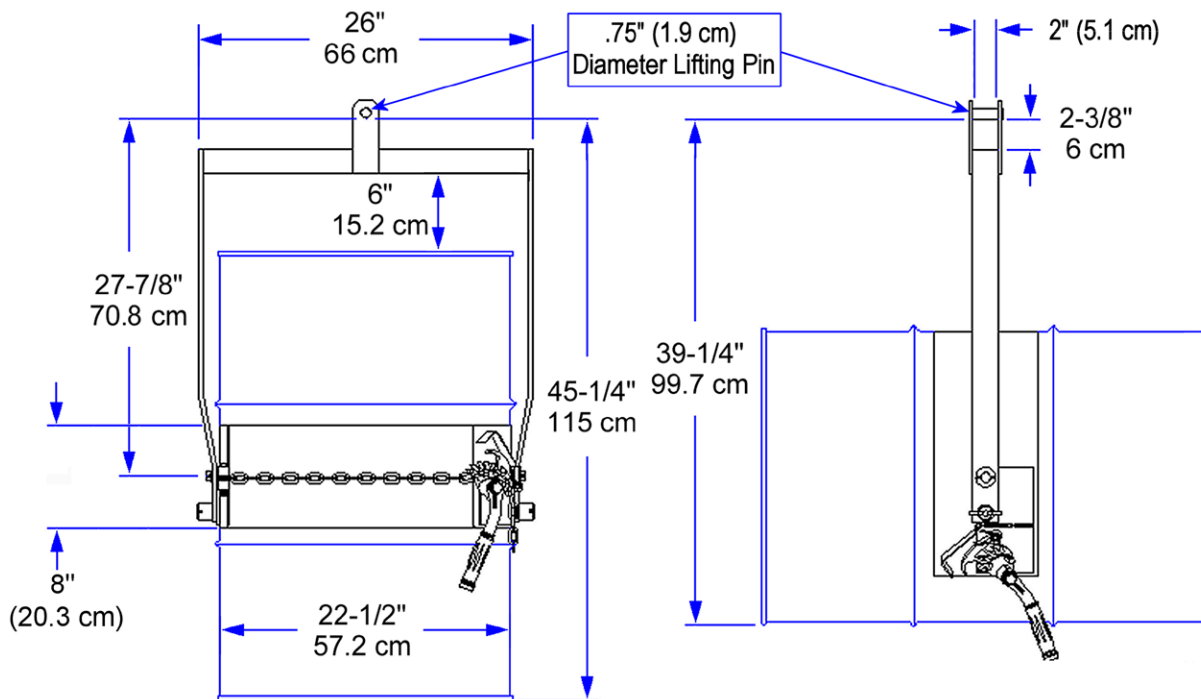
Morse below-the-hook drum handlers are manufactured by Morse Mfg. Co., Inc. in East Syracuse, NY 13057 USA. Each and every one is load tested at the factory at 125% of rated capacity as per American National Standard ANSI/ASME B30.20, and a load test certificate is enclosed with each unit when shipped.

Morse drum lifters comply with ANSI/ASME B30.20 standard for mechanical, below-the-hook lifting devices as it applies to the following:

- Rated load markings and unit identification
- Minimum design safety factor of 3, based on yield strength, for load bearing structural components
- Welding is performed by certified welders who have passed the ANSI/AWS D14.1 welding qualification test
- All welding is in accordance with ANSI/AWS D14.1 and ASME BTH-1

MADE
IN
USA

Dimensions



Accessory

An **Asymmetric Drum Cone** can be used with many standard Morse models, including below-hook drum karriers, that lack sufficient clearance within the frame for a 45° or 60° drum cone.

Asymmetric Drum Cone is shown here with slide gate valve (Morse Kit SG) to start and stop material flow. Also available with iris valve (Kit IV).

