

More performance
and more value
in a portable and
lightweight package.

FEATURES

- Rated to lift loads vertically
- Easy to mount with unique bail and safety latch
- Automatic, load suspending brake
- Secondary ratchet & pawl brake
- Choice of 115 and 230 VAC 1Ø power
- Upper and lower limit sensors
- Latching swivel hook
- Push-button pendant control with 32 foot lead
- Optional E-stop pendant control

OTHER PRODUCTS

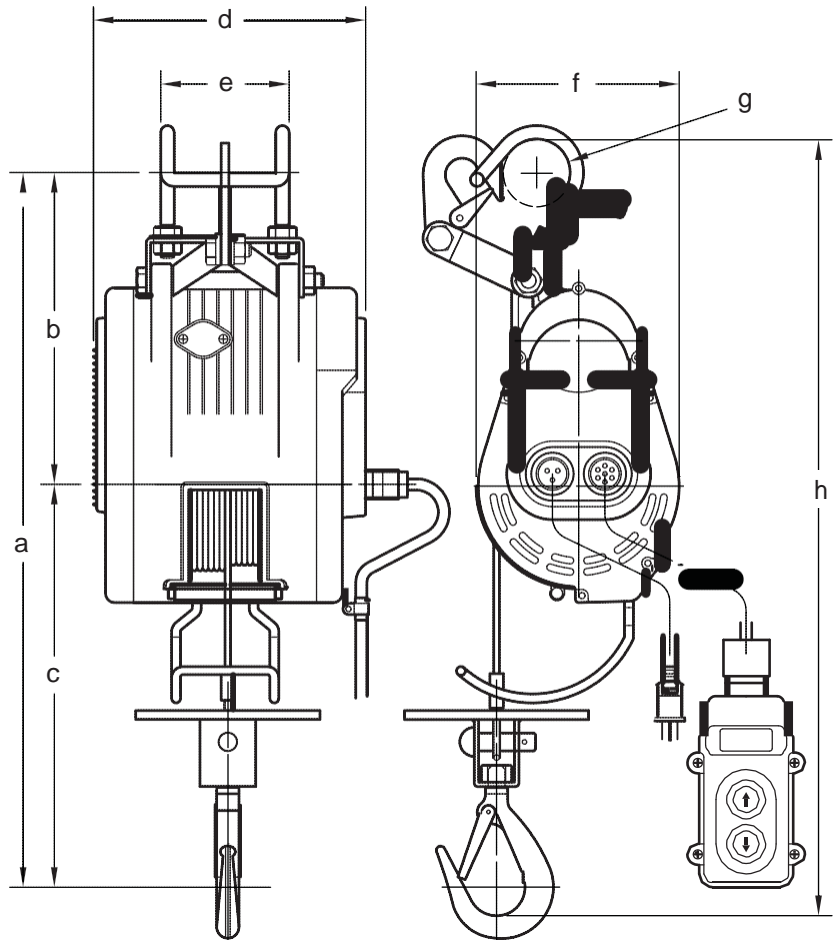
A full line of winches and hoists are available to meet your exact requirements for any lifting, pulling or positioning application with pneumatic, hydraulic, electric and self-contained power sources.



PERFORMANCE

HMH-230: Calculated Performance			
Layer	Capacity	Line Speed	Rope
	lbs	fpm	feet
1	230	74	8
2	209	84	17
3	190	92	27
4	176	100	37
5	162	108	49
6	151	116	61
7	141	123	79
HMH-450: Calculated Performance			
1	450	57	11
2	412	63	24
3	377	69	37
4	347	75	52
5	322	80	68
6	301	86	85
7	282	90	102
HMH-600: Calculated Performance			
1	600	37	11
2	560	42	23
3	510	46	36
4	470	50	50
5	435	55	65
6	405	57	82
HMH-750: Calculated Performance			
1	750	37	12
2	715	40	25
3	656	44	38
4	607	47	54
5	565	50	70
6	528	53	82

Calculated performance based on intermittent duty cycles.



SPECIFICATIONS & DIMENSIONAL DATA

Model	Power Input		Wire Rope Size	Weight	Dimensions							
	Voltage	Ø			a	b	c	d	e	f	g*	h
HMH-230	115/230	1Ø	3/16"	40 lbs.	23.8	10.5	13.3	7.9	4.1	6.6	2.6	26.3
HMH-450	115/230	1Ø	3/16"	55 lbs.	25.2	11.0	14.2	9.6	4.5	7.2	2.4	27.4
HMH-600	115/230	1Ø	1/4"	57 lbs.	25.2	11.0	14.2	9.6	4.5	7.2	2.4	27.4
HMH-750	230	1Ø	1/4"	62 lbs.	25.2	11.0	14.2	9.6	4.5	7.2	2.4	27.4

*Maximum diameter.

Columbia winches and hoists are available for AC, DC, hydraulic or pneumatic power sources. Special models for any application can be supplied - please contact your distributor for details.

D00064A

©January 2013 - www.columbiawinch.com